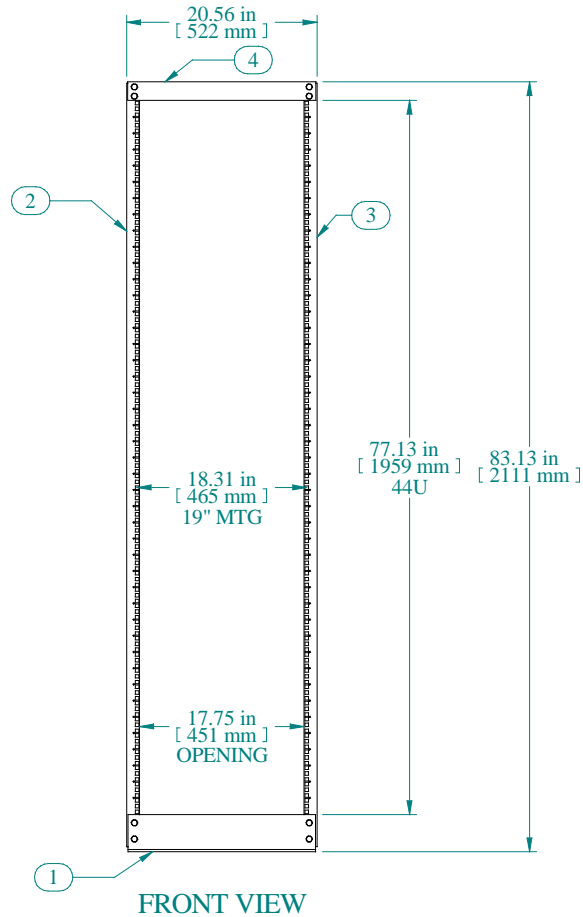
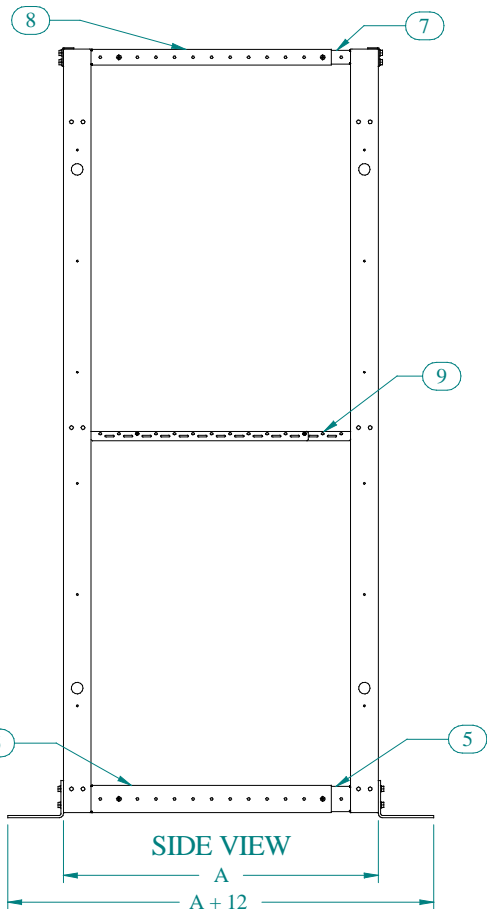
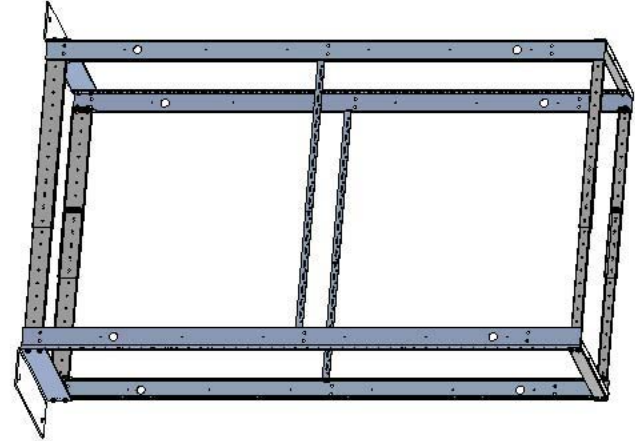
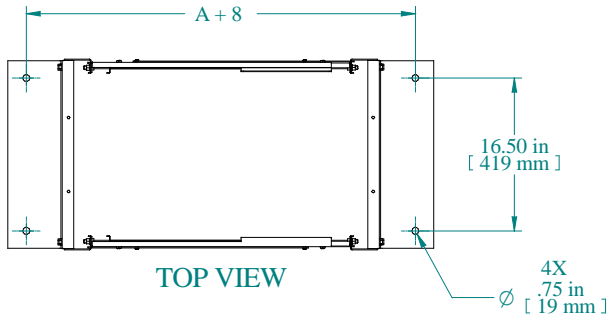


PART No.	A (Depth)
	32.00
	34.00
	36.00
	38.00
DC4R4448	40.00
	42.00
	44.00
	46.00
	48.00

NOTE: DIM "A" (DEPTH) IS ADJUSTABLE IN 2" INCREMENTS



Item Number	Title	Quantity
1	DNRR - BASE ANGLE	2
2	DN4R - LH RAIL	2
3	DN4R - RH RAIL	2
4	DNRR - TOP ANGLE	2
5	4 POST RELAY RACK DEPTH BRKT	2
6	4 POST RELAY RACK DEPTH BRKT	2
7	4 POST RELAY RACK DEPTH BRKT	2
8	4 POST RELAY RACK DEPTH BRKT	2
9	DN4R - CABLE TIE BAR	4

PART NUMBERS	
DC4R4448	PAINTED BLACK THIN FILM

NOTES
 Shipped knockdown for handling ease & protection
 Includes assembly hardware
 See Hammond Website for Additional Accessories

Data subject to change without notice. Isometric drawing not to scale.



**HAMMOND
MANUFACTURING™**
 www.hammondmfg.com
 PART NO. DC4R4448